



**3048
SERIES**

SPECIFICATION

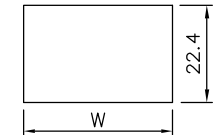
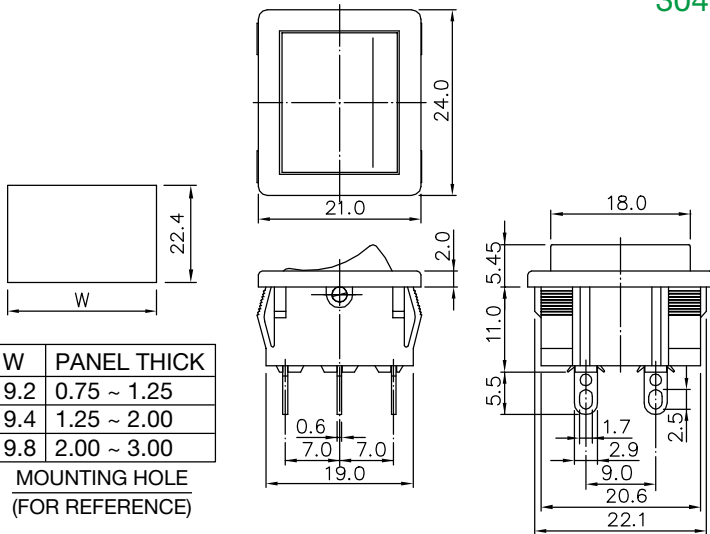


RATING	: 6A 125VAC , 6A 250VAC (UL,C-UL) 6(4)A 250V~ T85 (ENEC) (3048)
INSULATION RESISTANCE	: DC 500V 100MΩ OR MORE
CONTACT RESISTANCE	: DC 2-4V 1A 20mΩ OR LESS
WITHSTAND VOLTAGE	: AC 1500V FOR 1 Min
AMBIENT TEMPERATURE	: 0 °C TO 85 °C
ELECTRICAL LIFE	: 10,000 CYCLES

HOW TO ORDER

3048 - **K1** - - **T1** - - -

PRINT	CIRCUIT	KNOB COLOR	BODY COLOR
P0: NONE	DS: DPST ON-OFF	BK: BLACK	BK: BLACK
P1:	SS: DPST ON-OFF		
P2:			
P3:			
P4:			



W	PANEL THICK
19.2	0.75 ~ 1.25
19.4	1.25 ~ 2.00
19.8	2.00 ~ 3.00

MOUNTING HOLE
(FOR REFERENCE)



**3052
SERIES**

SPECIFICATION

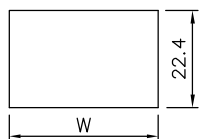
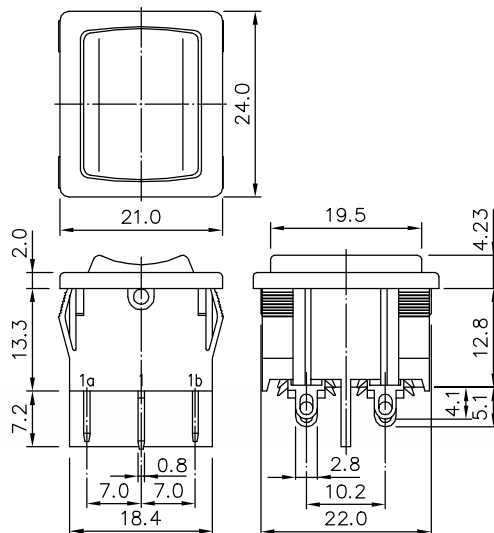


RATING	: 6A 125VAC , 6A 250VAC (UL,C-UL) 6(4)A 250V~μ T85 (ENEC)
INSULATION RESISTANCE	: DC 500V 100MΩ OR MORE
CONTACT RESISTANCE	: DC 2-4V 1A 20mΩ OR LESS
WITHSTAND VOLTAGE	: AC 1500V FOR 1 Min
AMBIENT TEMPERATURE	: 0 °C TO 85 °C
ELECTRICAL LIFE	: 10,000 CYCLES

HOW TO ORDER

3052 - - - - -

PRINT	TERMINAL	CIRCUIT	KNOB COLOR
P0:	T1: 2.8x0.8	C01: DPDT ON-OFF-ON	BK: BLACK
P1:	T2: 4.75x0.8	C02: DPDT (ON)-OFF-(ON)	BK: BLACK



W	PANEL THICK
19.2	0.75 ~ 1.25
19.4	1.25 ~ 2.00
19.8	2.00 ~ 3.00

MOUNTING HOLE
(FOR REFERENCE)